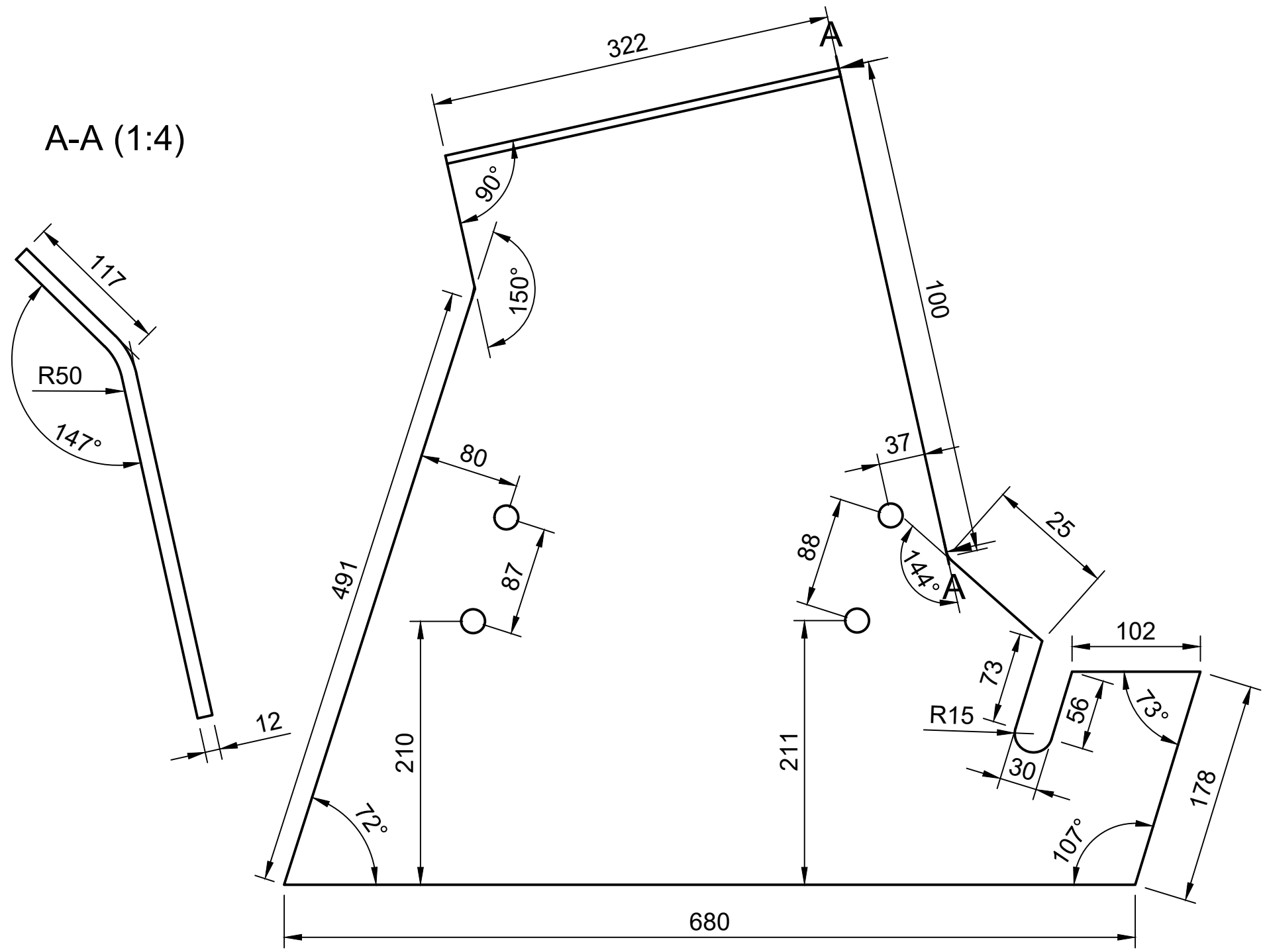


Specification					
Qty	Serial number	Part name	Material	Weight	
1	POS-12	Side wear plate right	CR 4800	27.6 kg	



Dept.	Technical reference	Created by	Approved by
SCALE 1:4		Document type	Document status
		Title	DWG No.
		Užsakovas UAB "Vilniaus kogeneracinė jėgainė"	
Rev.	Date of issue	Sheet	1/1